

# DH-HAC-B1A21

## 2MP HDCVI IR Bullet Camera



- Max. 30 fps@1080p
- CVI/CVBS/AHD/TVI switchable
- 3.6 mm fixed lens (2.8 mm, 6 mm optional)
- Max. IR length 20 m, Smart IR
- IP67, 12 VDC



### System Overview

The Cooper Series offers simple and highly cost-effective HDCVI solutions. It provides 24/7 reliable monitoring with high-quality image performance, saving cost on both material and labor force. It is also designed and built to the specific standards of Dahua.

### Functions

#### Smart IR Illumination

With its IR illumination, the camera provides optimal performance in low light conditions, ensuring uniformity in the brightness of B/W images. Through its smart IR technology, the camera also compensates for the distance of targets by adjusting the intensity of its IR LEDs, preventing overexposure of images as targets move closer to the camera.

#### 4 Signals over 1 Coaxial Cable

HDCVI technology supports 4 signals (video, audio\*, data and power) which are simultaneously transmitted over a coaxial cable. Dual-way data transmission allows the HDCVI camera to interact with the XVR to perform various actions such as sending control signals and triggering alarms. HDCVI technology also supports PoC, which makes the camera easy and quick to install.

\* Audio input is available for select HDCVI camera models.

#### Long Distance Transmission

HDCVI technology provides long distance transmission in real-time without transmission loss. It supports transmission distances up to 700 m for 2-MP/5-MP/8-MP HD videos through coaxial cables, and up to 300 m through UTP cables. The results were obtained and verified through rigorous testing in Dahua's test laboratory.

### Protection

**IP67:** The camera passed a series of rigorous dust and immersion tests. Its enclosure is both dust-proof and waterproof, and can function normally while being immersed in 1 m deep water for up to 30 minutes.  
**Wide voltage:** The camera has  $\pm 30\%$  input voltage tolerance (for some power supplies) and a wide voltage range, making it suitable for a variety of outdoor scenarios.

### Multi-language OSD

The OSD offers multiple functions to meet the many requirements of a monitoring scene, such as backlight mode, day/night mode, white balance, privacy mask, and motion detection. 11 languages are available for OSD: Chinese, English, French, German, Spanish, Portuguese, Italian, Japanese, Korean, Russian and Polish.

### Simplicity

HDCVI technology inherits the simplicity of traditional analog surveillance systems, making it a great mechanism for protecting your valuables. HDCVI can be upgraded from the traditional analog system without replacing the existing coaxial cabling. Its plug and play design enables it to produce high-definition videos during surveillance without the hassle of configuring a network.

## Cooper Series | DH-HAC-B1A21

### Technical Specification

#### Camera

Pixel	2 MP
Image Sensor	2MP CMOS
Max. Resolution	1920 (H) × 1080 (V)
Scanning System	Progressive
Electronic Shutter Speed	PAL: 1/25 s–1/100,000 s NTSC: 1/30 s–1/100,000 s
Min. Illumination	0.04 lux@F2.0 (Color, 30 IRE) 0.004 lux@F2.0 (B/W, 30 IRE) 0 lux (Illuminator on)
S/N Ratio	>65 dB
Illumination Distance	20 m (65.62 ft)
Illuminator On/Off Control	Auto/Manual
Illuminator Number	2 (IR light)
Pan/Tilt/Rotation Range	Pan: 0°–360° Tilt: 0°–90° Rotation: 0°–360°

#### Lens

Lens Type	Fixed-focal				
Lens Mount	M12				
Focal Length	2.8 mm; 3.6 mm; 6 mm				
Max. Aperture	F2.0				
Field of View	2.8 mm: H: 100°; V: 53°; D: 120° 3.6 mm: H: 82°; V: 42°; D: 98° 6 mm: H: 53°; V: 30°; D: 60°				
Iris Control	Fixed				
Close Focus Distance	2.8 mm: 0.6 m (1.97 ft) 3.6 mm: 1.0 m (3.28 ft) 6 mm: 2.0 m (6.56 ft)				
DORI Distance	Lens	Detect	Observe	Recognize	Identify
	2.8 mm	46.9 m (153.87 ft)	18.8 m (61.68 ft)	9.4 m (30.84 ft)	4.7 m (15.42 ft)
	3.6 mm	60.9 m (199.80 ft)	24.3 m (79.72 ft)	12.2 m (40.03 ft)	6.1 m (20.01 ft)
	6 mm	82.8 m (271.65 ft)	33.1 m (108.60 ft)	16.6 m (54.46 ft)	8.3 m (27.23 ft)

#### Video

Video Frame Rate	CVI: PAL: 1080p@25 fps; 720p@25 fps NTSC: 1080p@30 fps; 720p@30 fps TVI: PAL: 1080p@25 fps; 720p@25 fps NTSC: 1080p@30 fps; 720p@30 fps AHD: PAL: 1080p@25 fps; 720p@25 fps NTSC: 1080p@30 fps; 720p@30 fps CVBS: PAL: 960H NTSC: 960H
Resolution	1080p (1920 × 1080); 720p (1280 × 720); 960H (960 × 576/960 × 480)
Day/Night	Auto (ICR)/Color/B/W
BLC	BLC; HLC; DWDR

WDR	DWDR
White Balance	Auto; Area white balance
Gain Control	Auto/Manual
Noise Reduction	2D NR
Smart Illumination	Yes
Mirror	Yes
Privacy Masking	Off/On (8 areas, rectangle)

#### Certification

Certifications	CE (EN55032:2015, EN61000-3-2:2014, EN61000-3-3:2013, EN55024:2010+A1:2015, EN55035:2017, EN50130-4:2011+A1:2014, EN62368-1:2014+A11:2017) FCC (CFR 47 FCC Part 15 subpartB, ANSI C63.4-2014)
----------------	-----------------------------------------------------------------------------------------------------------------------------------------------------------------------------------------------

#### Port

Video Output	Video output choices of CVI/TVI/AHD/CVBS by one BNC port
--------------	----------------------------------------------------------

#### Power

Power Supply	12 VDC ± 30%
Power Consumption	Max. 2.7 W (12 VDC, IR on)

#### Environment

Operating Temperature	–40 °C to +60 °C (–40 °F to 140 °F)
Operating Humidity	<95% (RH), non-condensing
Storage Temperature	–40 °C to +60 °C (–40 °F to +140 °F)
Protection	IP67

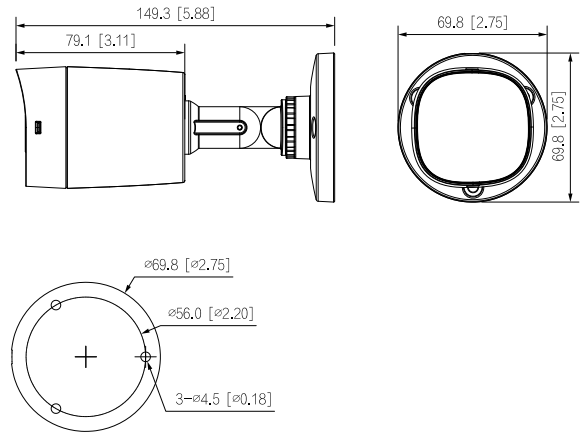
#### Structure

Casing	Plastic
Product Dimensions	149.3 mm × 69.8 mm × 69.8 mm (5.88" × 2.75" × 2.75")
Packaging Dimensions	164 mm × 79 mm × 90 mm (6.46" × 3.11" × 3.54")
Net Weight	0.14 kg (0.31 lb)
Gross Weight	0.17 kg (0.37 lb)
Installation	Wall mount; ceiling mount; horizontal pole mount

# Cooper Series | DH-HAC-B1A21

Ordering Information		
Type	Part Number	Description
2MP Camera	DH-HAC-B1A21P	2MP HDCVI IR Bullet Camera, PAL
	DH-HAC-B1A21N	2MP HDCVI IR Bullet Camera, NTSC
Accessories (Optional)	PFA134	Junction Box
	PFA134+PFA152-E	Pole Mount Bracket
	PFM800-E	Passive HDCVI Balun
	PFM321D	12V 1A Power Adapter
	PFM904	Integrated Mount Tester

## Dimensions (mm[inch])



## Accessories

Optional:



PFA134  
Junction  
Box



PFA134+PFA152-E  
Pole Mount  
Bracket



PFM800-E  
Passive HDCVI  
Balun



PFM321D  
12V 1A Power  
Adapter



PFM904  
Integrated Mount  
Tester

